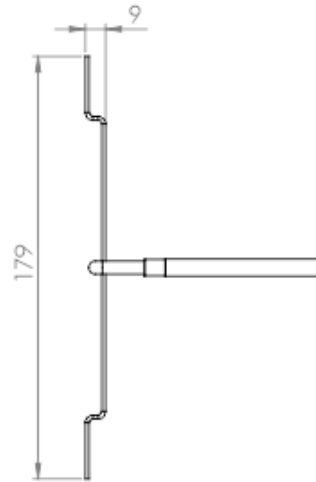
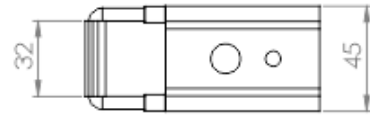


# Horizontal / Vertical Control Gap Tie



## DESCRIPTION

Horizontal/vertical control gap tie for brick and block work. This tie will retain masonry integrity against lateral wind loads, and sleeves – back plate will absorb differential movement.

## FEATURES

- Clay brick / block work
- Tested to a control gap of 40mm
- Soffit and column fitment
- Easy fix installation
- Universal applications
- Australian design & tested AS/NZS 2699.2:2020

## FIXINGS

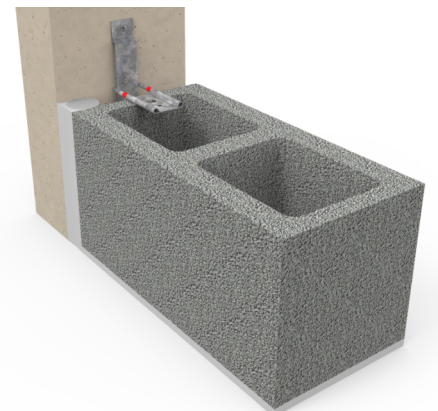
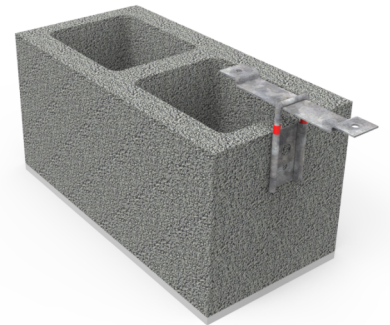
- Material: , Fastener: Fixed with approved fasteners, contact us with your project requirements.

## CORROSION

- Material: Galvanised Z600 (R2)
- Material: Stainless steel 316L (R4)

## ADDITIONAL CORROSION

Conforms to corrosion resistance set by AS/NZS 2699.2:2020 / AS 3700.



## ORDERING INFORMATION

When ordering please supply use with the part number and quantity you require

<b>CGT3</b>	<b>-R2</b>
PRODUCT CODE	MATERIAL Specify <b>R2</b> for Galvanised Z600 <b>R4</b> for Stainless steel 316L

Datasheet

## Horizontal / Vertical Control Gap Tie

### TESTING INFORMATION

AS/NZS 2669.1:2020	CGT 3 (40mm Gap)
	Mean (range)
Preliminary Stiffness (kN/mm)	0.79 (0.44 – 1.29)
Serviceability Stiffness (kN/mm)	1.29 (0.91 – 1.53)
Peak Load (kN)	
Mean Load	3.02 (2.38 – 3.75)
Characteristic Strength	2.08